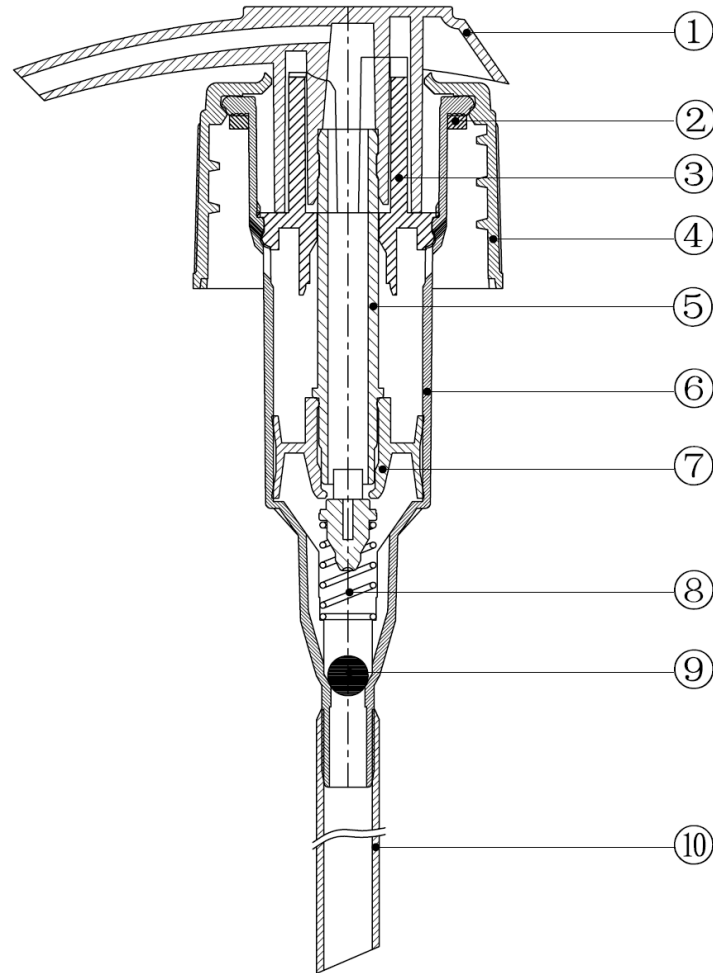
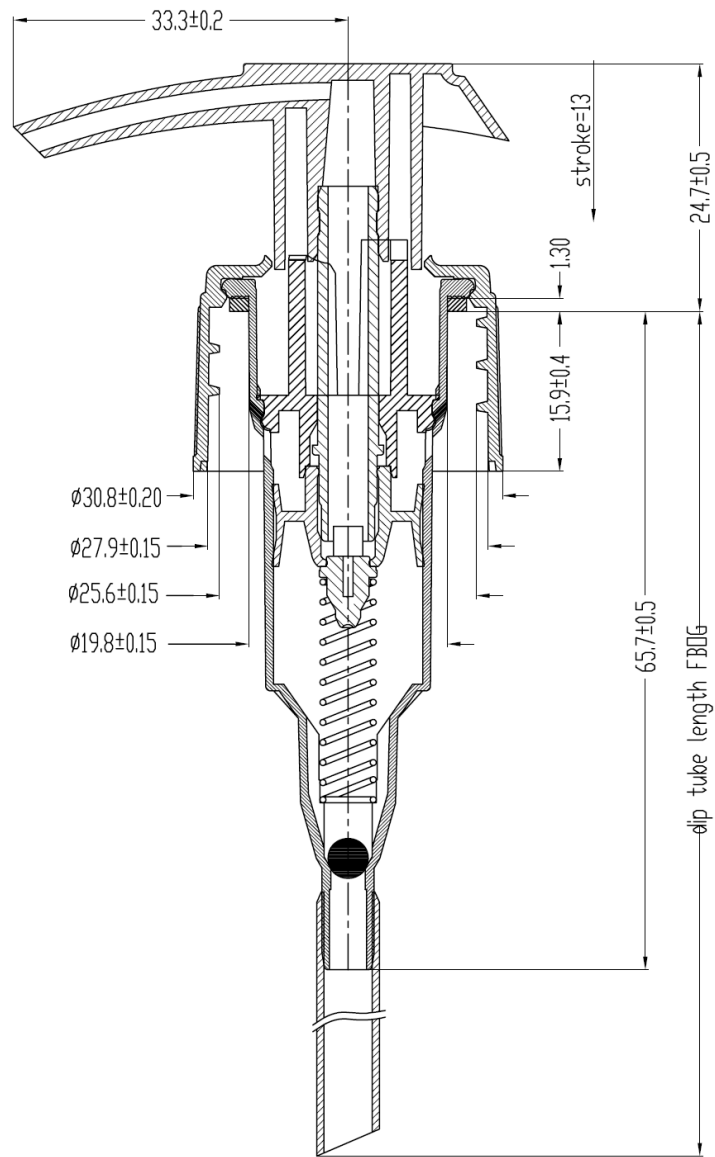


N	COMPONENTS
1	ACTUATOR
2	OUTER GASKET
3	CLOSURE
4	RETAINER
5	STEM
6	HOUSING
7	PISTON
8	LONG SPRING
9	BALL
10	DIP TUBE

EC Pack Industrial Limited

Item	2.0 cc Dispensing Lotion Pump 28/400 (Left-Right)	Code	GH-LR-28/400-2
Prepared by	P. P. Chung (Eng. I)	Confirmed by	P. K. Chan (Eng. Manager)
Date	3 Mar., 2006.	Checked by	J. C. Wong (Eng. II)
Material	P P	Unit	mm
View	$\oplus \triangleleft$	Scale	1.5:1
Tolerance	± 0.1 mm		



N	COMPONENTS
1	ACTUATOR
2	OUTER GASKET
3	RETAINER
4	CLOSURE
5	STEM
6	HOUSING
7	PISTON
8	LONG SPRING
9	BALL
10	DIP TUBE

EC Pack Industrial Limited

Item	2.0 cc Dispensing Lotion Pump 28/410 (Left-Right)	Code	GH-LR-28/410-2
Prepared by	P. P. Chung (Eng. I)	Confirmed by	P. K. Chan (Eng. Manager)
Date	3 Mar., 2006.	Checked by	J. C. Wong (Eng. II)
Material	P P	Unit	mm
View	$\oplus \triangleleft$	Scale	1.5:1
Tolerance	$\pm 0.1 \text{ mm}$		