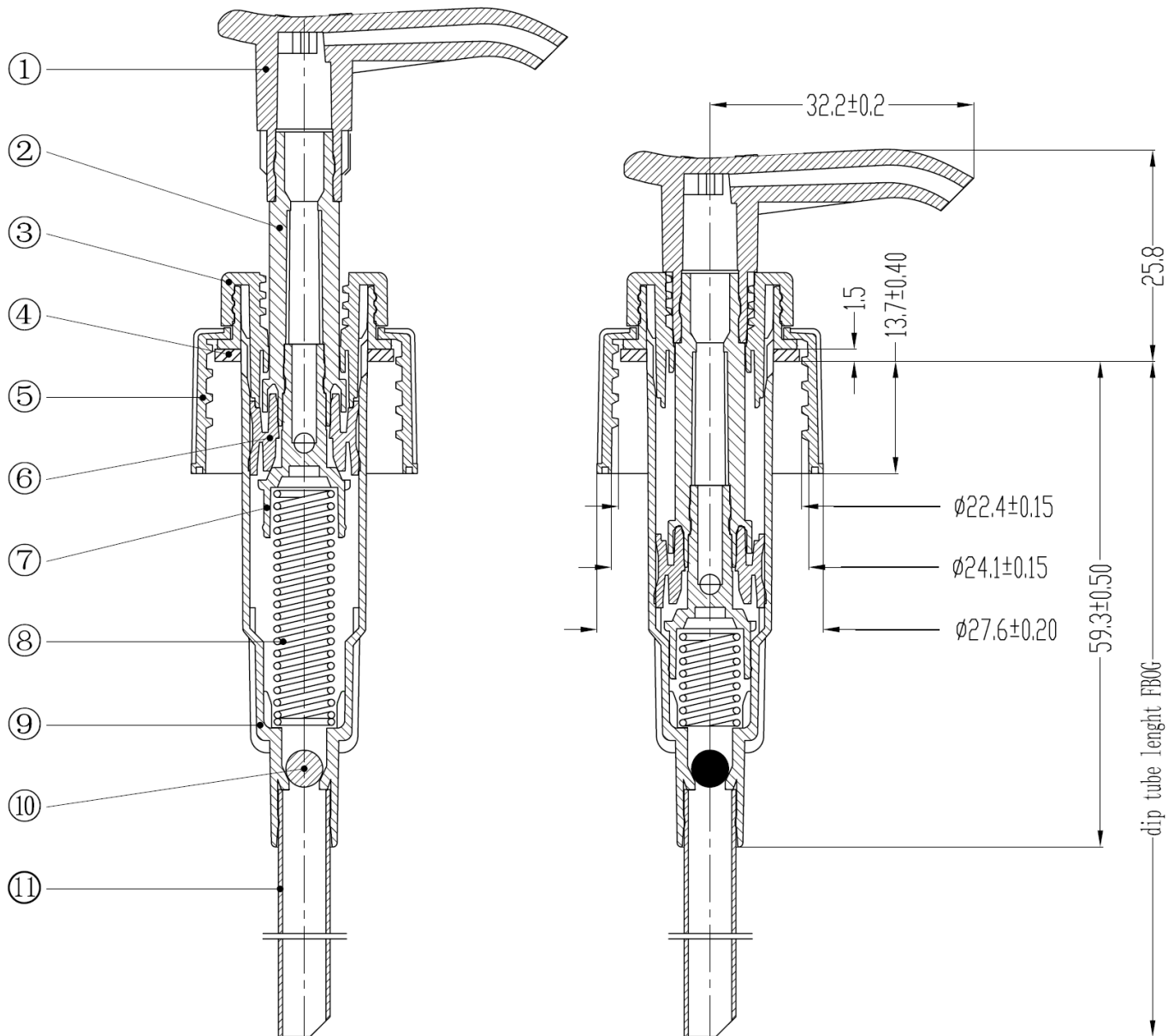
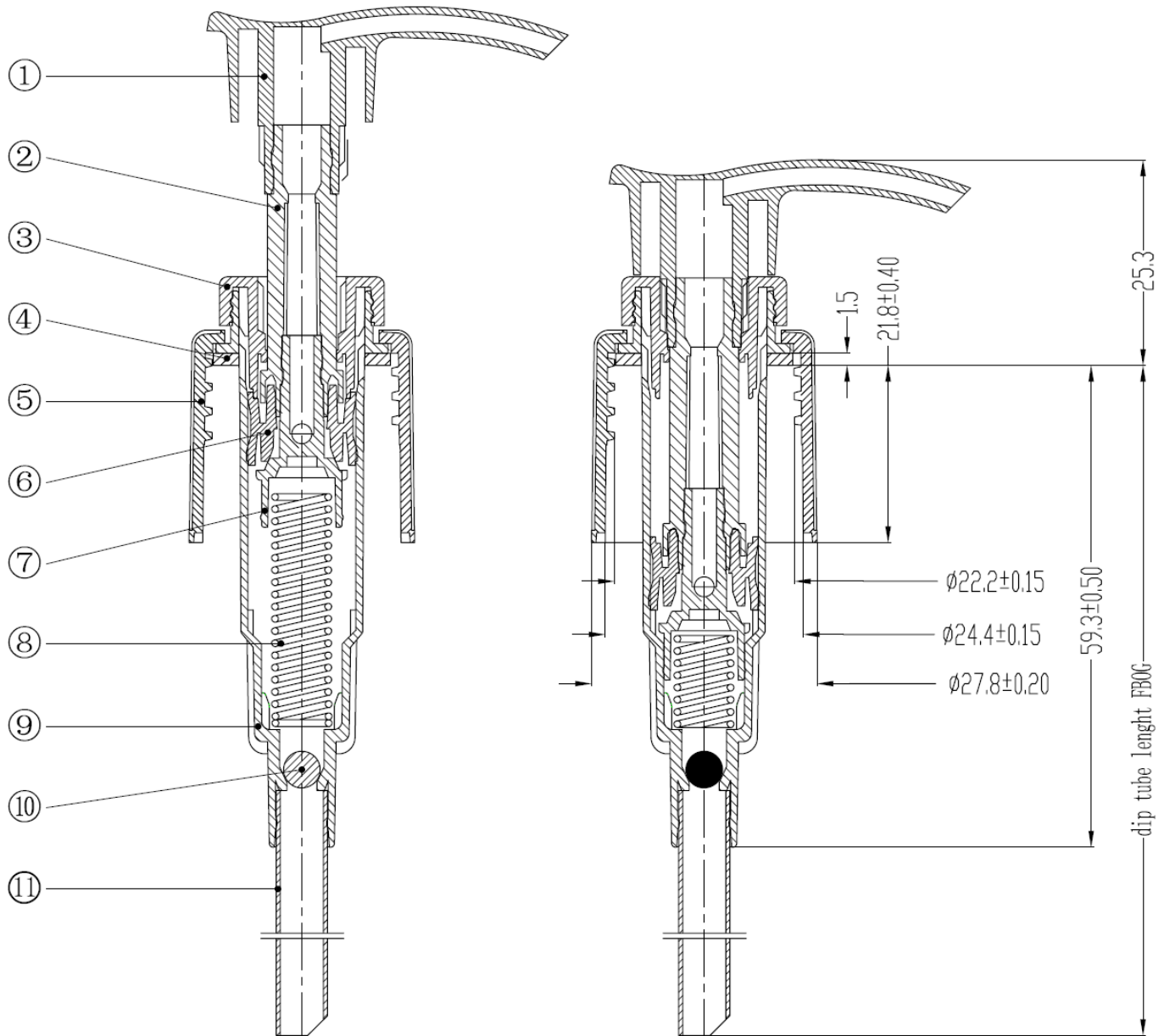


N	COMPONENTS
1	ACTUATOR
2	STEM
3	RETAINER
4	OUTER GASKET
5	CLOSURE
6	PISTON
7	SUB-STEM
8	LONG SPRING
9	HOUSING
10	BALL
11	DIP TUBE



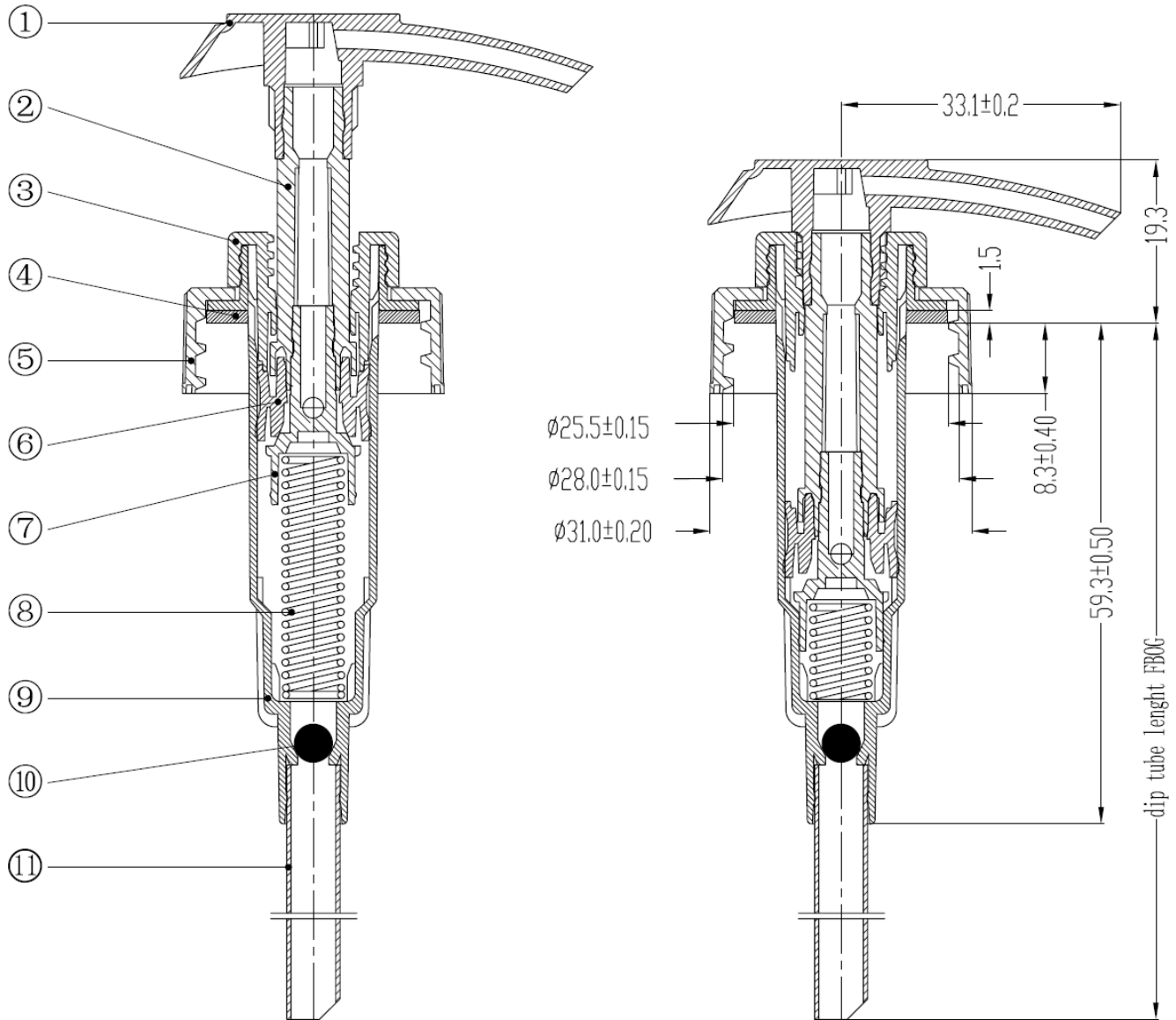
EC Pack Industrial Limited			
Item	2.0 cc Dispensing Lotion Pump 24/410	Code	DC-24/410
Prepared by	P. P. Chung (Eng. I)	Confirmed by	P. K. Chan (Eng. Manager)
Date	3 Mar. , 2006.	Checked by	J. C. Wong (Eng. II)
Material	P P	Unit	mm
View		Scale	1.3 : 1
Tolerance	±0.1mm		

N	COMPONENTS
1	ACTUATOR
2	STEM
3	RETAINER
4	OUTER GASKET
5	CLOSURE
6	PISTON
7	SUB-STEM
8	LONG SPRING
9	HOUSING
10	BALL
11	DIP TUBE



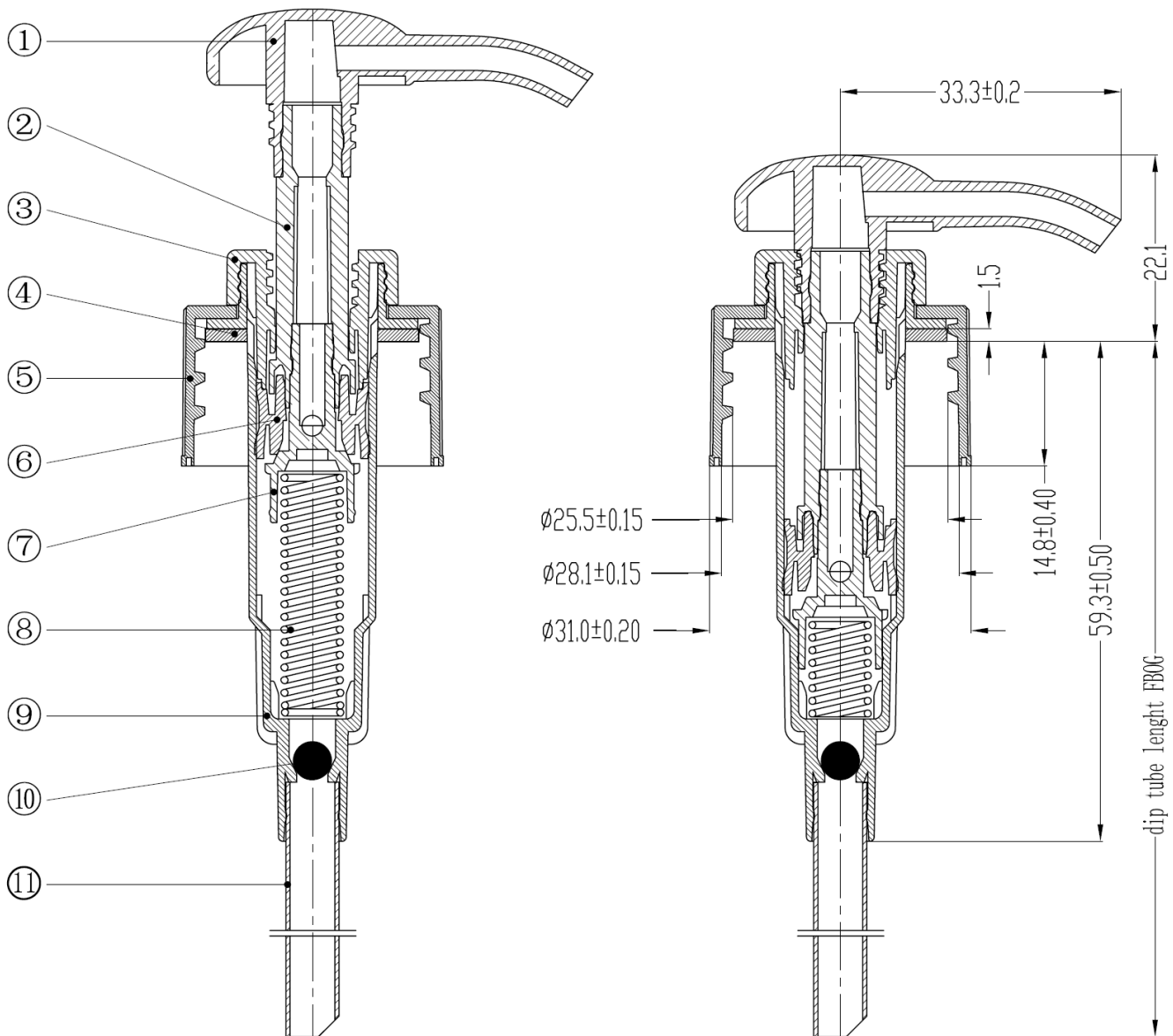
EC Pack Industrial Limited			
Item	2.0 cc Dispensing Lotion Pump 24/415	Code	DC-24/415
Prepared by	P. P. Chung (Eng. I)	Confirmed by	P. K. Chan (Eng. Manager)
Date	3 Mar. , 2006.	Checked by	J. C. Wong (Eng. II)
Material	P P	Unit	mm
View		Scale	1.3 : 1
Tolerance	±0.1mm		

N	COMPONENTS
1	ACTUATOR
2	STEM
3	RETAINER
4	OUTER GASKET
5	CLOSURE
6	PISTON
7	SUB-STEM
8	LONG SPRING
9	HOUSING
10	BALL
11	DIP TUBE



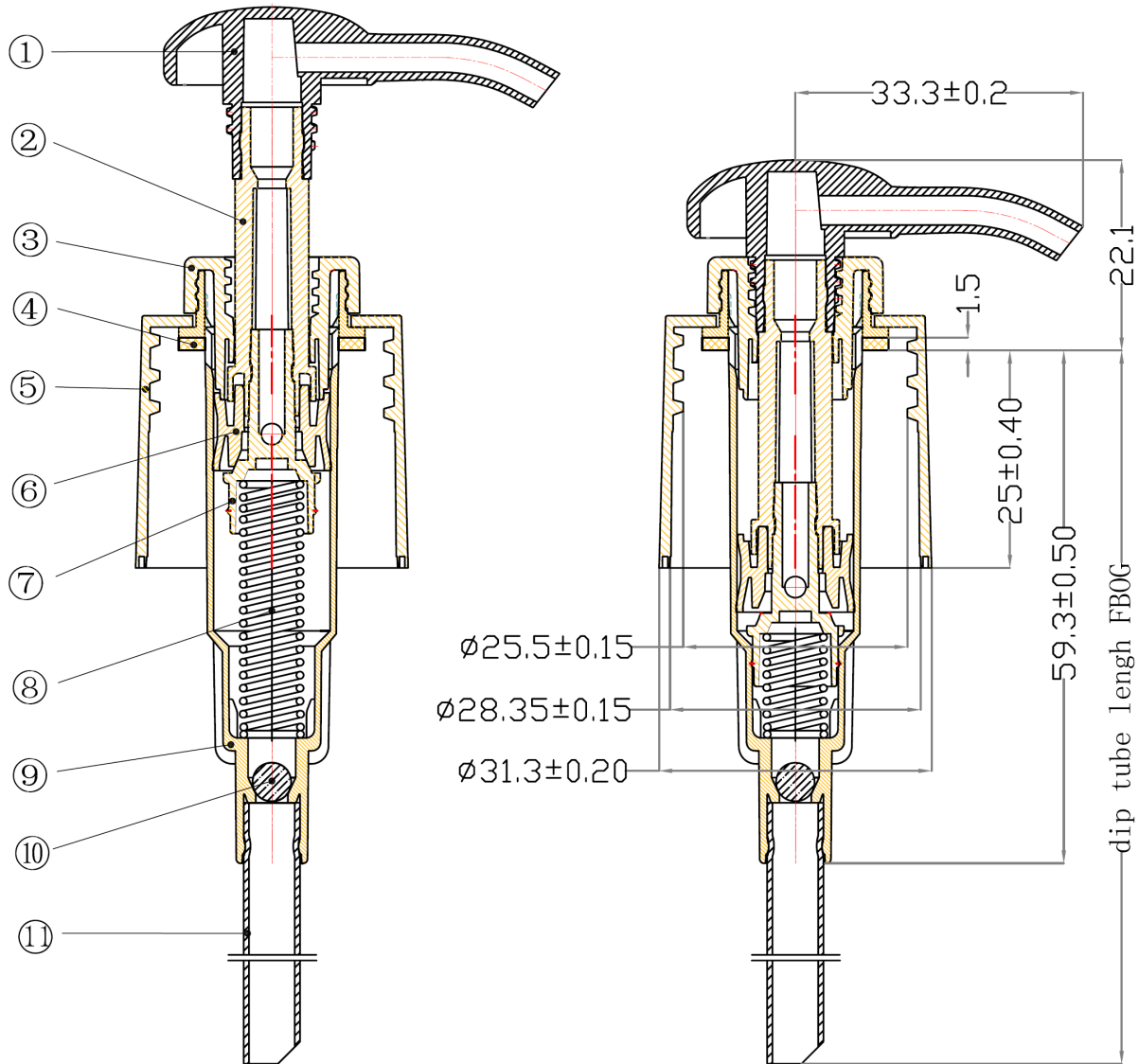
EC Pack Industrial Limited			
Item	2.0 cc Dispensing Lotion Pump 28/400	Code	DC-28/400
Prepared by	P. P. Chung (Eng. I)	Confirmed by	P. K. Chan (Eng. Manager)
Date	3 Mar., 2006.	Checked by	J. C. Wong (Eng. II)
Material	P P	Unit	mm
View		Scale	1.3 : 1
Tolerance	±0.1mm		

N	COMPONENTS
1	ACTUATOR
2	STEM
3	RETAINER
4	OUTER GASKET
5	CLOSURE
6	PISTON
7	SUB-STEM
8	LONG SPRING
9	HOUSING
10	BALL
11	DIP TUBE



EC Pack Industrial Limited			
Item	2.0 cc Dispensing Lotion Pump 28/410	Code	DC-28/410
Prepared by	P. P. Chung (Eng. I)	Confirmed by	P. K. Chan (Eng. Manager)
Date	3 Mar. , 2006.	Checked by	J. C. Wong (Eng. II)
Material	P P	Unit	mm
View		Scale	1.3 : 1
Tolerance	±0.1mm		

N	COMPONENTS
1	ACTUATOR
2	STEM
3	RETAINER
4	OUTER GASKET
5	CLOSURE
6	PISTON
7	SUB-STEM
8	LONG SPRING
9	HOUSING
10	BALL
11	DIP TUBE



EC Pack Industrial Limited

Item	2.0 cc Dispensing Lotion Pump 28/415	Code	DC-28/415
Prepared by	P. P. Chung (Eng. I)	Confirmed by	P. K. Chan (Eng. Manager)
Date	26 Sep., 2008	Checked by	J. C. Wong (Eng. II)
Material	PP	Unit	mm
View		Scale	
Tolerance	±0.1mm		